

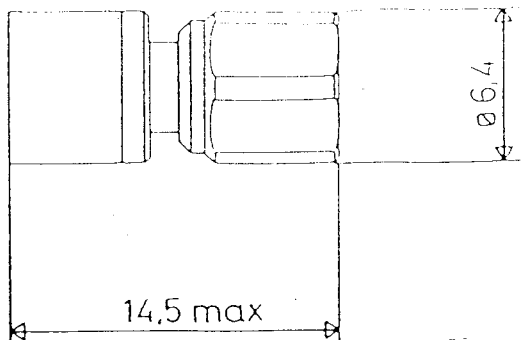


0.5 W DC- 8 GHz SMC/plug COAXIAL TERMINATION

issue
23. sep. 03

Page
1 / 1

DRAWING



General tolerances: +/- 0.5 mm

R F CHARACTERISTICS

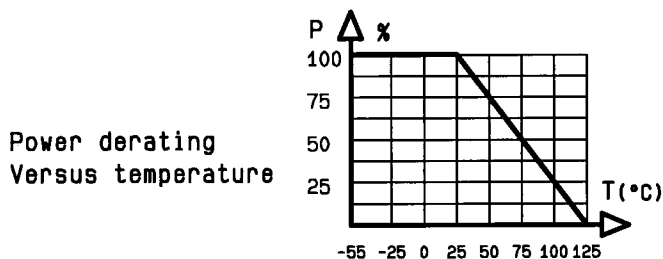
FREQUENCY RANGE : DC - 8 GHz
 IMPEDANCE : 50 Ohms
 DC RESISTANCE : 50 Ohms ± 5 %
 V.S.W.R : DC - 2 GHz : ≤ 1.10
 2 - 4 GHz : ≤ 1.20
 4 - 8 GHz : ≤ 1.25
 PEAK POWER at 25°C (1µs,1%.) : 100 W
 AVERAGE POWER at 25°C : 0.5 W

MECHANICAL CHARACTERISTICS

CONNECTORS : SMC plug per MIL-C 39012
 WEIGHT : < 3 g

ENVIRONMENTAL CHARACTERISTICS

OPERATING TEMPERATURE RANGE (°C) : -55 , +125
 STORAGE TEMPERATURE RANGE (°C) : -55 , +125



MATERIALS AND FINISHES

BODY : STAINLESS STEEL
 CONTACT : BERYLLIUM COPPER - Ni1 Au2.5
 INSULATOR : PTFE
 NUT : Brass Ni 2
 RESISTOR : ALUMINA SUBSTRATE

CREATION		REVISIONS		NAME		APPR.	
N° :	23.sep.03	Add Materials and finishes		AF	FG		
PEN/EP:CAT	11.jun.96	Change female to plug		MG	AF		
Name:KL	12.may.95	Peak power 250 W--->100 W		TB	VE		
Date:14.mar.89	09.oct.92	New format			PG		
APP.:	ISSUE						

RADIALL®
 101. rue P. Hoffmann -Z.I Ouest-
 93116 ROSNY/BOIS Cedex-FRANCE
 Phone:33(1)49353535
 Fax :33(1)48546363
 Twx RADIA 235220F

This information is given as an indication. In the continual goal to improve our products, we reserve the right to make any modifications judged necessary

4112-9212